



GAZETTE

Vol. 15, No. 3

Pemigewasset Valley Fish and Game Club

September 2009

inside

- 2 Director's Corner
- 3 2009 Event Calendar
- 4 President's Firing Point
- 6 Biathlon
- 7 Women on Target
- 8 Clubhouse Renovation
- 10 "A Walk in the Woods"
- 11 International Plymouth Match
Adopt-a-Highway
- 12 Officers and Directors
Contributors

FALL POT LUCK DINNER

The traditional fall Pot Luck Dinner will take place at the clubhouse at 6:00pm, Friday, October 30. Bring your favorite main dish, salad or desert or just attend and you will be fed! Call Winnie Oustucky at 536-4129 to let her know what you'll be bringing or to offer your help.

The October general meeting will be held directly after dinner, approximately 7:30, and we'll move to the newly renovated hall upstairs. The featured speaker this year is Jim Gleich. Jim is a well-known local performer with 27 years' experience touring the Northeast as a circus performer and educator. He spent nine years performing at the NY Renaissance Festival as a juggler, joust, stunt man and falconer. Jim will have everyone fascinated.

Spread the word. The program is free and is open to the public!

The Range Expansion Project

For well more than 20 years there has been talk of expanding the rifle beyond the current 200 yards. The obstacles in the way have been both geologic — New Hampshire isn't called the "Granite State" for nothing — and financial. A start was made about 12 years ago with the tree clearing beyond the 200 yard pits and moving the hill that was there. Then about 6 or 8 years ago some more of the forest was cleared beyond that.

What we were looking at then was an elevation problem that seemed insurmountable: the target area 600 yards out was so much higher than the firing line that there'd be no (reasonable) way to build the range that would come anywhere close to the NRA specs. In spite of a lot of thinking, we seemed to be stuck.

Then Jeff Lindblom, our immediate past Secretary, had the idea of looking for an entirely new location on the Club property. This wasn't a new idea, but Jeff pushed it harder than anyone else had, and that made the rest of us take a serious look at it. And it looks like we've found a spot that'll work, not just for 600 yards but all the way to 1,000 yards.

Before getting into details, I should try to answer a question that comes up every time we talk about this. And that is: "600 yards?! 1,000 yards!?! Are you kidding? I thought two hundred yards was a long way!" When I first started shooting, that was my reaction, too. I was pretty amazed that you could hit a 4'x4' target at 200 yards regularly. I was more shocked when I learned that competitors considered 200 and

(please turn to page 5)



Wild Places for Wild Things

By Glenn Normandeau, Executive Director,
N.H. Fish and Game Department

Excerpted with permission from *N.H. Wildlife Journal*, September/October 2009.

As summer fades and another crisp New Hampshire fall appears on the horizon, those of us who love to hunt start pushing things around on the calendar to make way for time in the field. Nothing can match being outdoors to clear our heads, to reconnect with family, friends and the natural world around us. Hunting, hiking, paddling, looking for moose, marveling at the acrobatics of hawks on what looks like a migratory joyride -- these are fall's outdoor activities that I always enjoy and remember. They remind me why I work for wildlife.

Hunters will notice that we've fully revised and reformatted the *N.H. Hunting and Trapping Digest*, now available online (www.wildnh.com) or at any license agent. It's a lot more readable and user-friendly now. Because of additional advertising and production support, the new format is also more cost-effective than the old one. Saving money on the production of the *Digest* (as well as the upcoming 2010 Fishing and Saltwater digests) leaves more for Fish and Game to spend on the conservation programs that are important to you.

Those wildlife and habitat conservation programs are the focus of September/October issue of the *Journal*, which features woodcock, moose and waterfowl. These are species that are all highly dependent on habitat -- of the right type and quality, and in the right place -- to thrive.

Waterfowl are an interesting management challenge because of their jet-setting ways. Fish & Game has protected thousands of acres of critical habitat for ducks and geese, much of the coastal portion in collaboration with the Great Bay Resource Protection Partnership. But migratory waterfowl fly to other countries to spend some parts of the year, making it essential for Fish and Game biologists to work across borders with their "flyway" colleagues in Canada and elsewhere to ensure healthy populations.



Moose are perhaps the most obvious example of Fish and Game's successful track record over the last century. Not only did active management bring moose back from the brink in New Hampshire, but they are now a common sight -- for everyone's benefit, not just hunters.

In the case of woodcock, I remember a time when my special spot to hunt was an abandoned apple orchard in West Alton. Development has destroyed those old coverts. Habitat lost to development is all too common throughout the U.S. Consequently, Fish and Game, in partnership with like-minded conservation interests, is working hard to improve woodcock habitat in New Hampshire. In fact, there's a coordinated effort in northern New England to bring back populations that have slowly dwindled over time, due to habitat loss. When we improve habitat for woodcock, we improve habitat for many other species that depend on openings, shrublands and regenerating forests for their life needs.

On your next outing, introduce a youngster to your favorite piece of woods or water, and help him or her understand the importance of that habitat for fish and wildlife. If you can, help us celebrate our outdoor traditions on September 26 -- the statewide Hunting and Fishing Day Expo & N.H. Tour -- and get geared up for a great season. See you in the outdoors.

SAFETY FIRST

2009 Schedule of Events

NOTE: See Gazette articles or visit the club website, www.pemi.org, click on Event Schedule for more details of these listed events.

Wed., September 2	Board of Directors monthly meeting. 7pm
Sat., September 12	50-meter small-bore rifle match (covered range)
Sat., September 19	Summer biathlon orientation match / fun shoot. See page 6.
Sun., September 20	NHHPRL # 5 (200-yard range) then 50m small-bore match (covered range)
► Thur., September 24	Monthly club meeting. 7pm at the clubhouse.
Sat., September 26	cowboy lever action silhouette (200-yard range)
Sun., September 27	Silhouette (covered ranges)
Sat., October 3	IDPA
Sun., October 4	Mountain bike biathlon (see page 6)
Wed., October 7	Board of Directors monthly meeting.
Sat., October 10	NHHPRL # 6 (200-yard range) then 50m small-bore match (covered range)
Sun., October 11	International Plymouth small-bore rifle (50-yard covered range)
Sat., October 17	Highway clean-up, 4 of 4. See page 9.
Sun., October 18	Edson's Ridge
Sun., October 18	Women on Target (see page 7)
► FRIDAY, October 30	Monthly club meeting. 7pm at the clubhouse.
Sat., October 31	IDPA
Wed., November 4	Board of Directors monthly meeting. 7pm
Wed., December 2	Board of Directors monthly meeting. 7pm
► FRIDAY, December 4	Combined Nov+Dec Monthly club meeting "Christmas Social" 7pm at the clubhouse.

NOTE: See Club website, www.pemi.org and click on event schedule for more details.

INDOOR RANGE: 8 a.m. to 9 p.m. with key. Call Phil Haskell, 536-3105, or John Bartlett, 786-9720, to obtain a key. Team and open shooting from 6 p.m. Monday and Thursday evenings. Members only—log in and out with current membership number at range; \$5 per day. Memberships available at range.

OUTDOOR RANGES: 8 a.m. to dusk, 7 days a week, closed during archery shoots (see schedule of events) until about 4:30, and at other announced times for scouting events, etc. Members only—log in and out with current membership number; \$5 per day range fee. May sign up for membership at range. Info: Fred Allen 968-9944 or mail@pemi.org.

TRAP RANGE: Open shooting (launch your own birds) 8 a.m. to dusk, 7 days a week. 12 gauge and smaller, #7½ and #8 shot only. **No other firearms on trap range!** Club trap, open to all members and membership available on site, Thursday evening 5 p.m. to closing under lights. Call Randy Montague at Yeaton Agway, (603) 536-4554 for info. **Five-stand fun Sunday mornings from 8 a.m. Call Denny Sutcliffe at 536-4435.**

OUTDOOR ARCHERY: Practice range and 15-station course open all times except during certain announced events. \$5 per session. Info: Fred Allen at 968-9944.

3-D Archery at Pemi

The club hosted the IBO (International Bowhunter's Organization) sanctioned NH State Championship 3-D archery shoot on June 27th and 28th. The weather was just as ordered and we received many compliments on the course of two rounds of 15 realistic 3-D targets. The scores may be seen on the club web site by clicking Event Results in the menu on the home page.

Then on August 2, we held a hunting-oriented shoot with targets placed in hunting situations and with the archers standing on a stump, sitting in a chair, leaning around a tree, etc., to simulate conditions they may encounter in the field while hunting deer, turkeys and other game.

The practice butts on the lawn and the 15-target walk through the woods are available to members year-round. The club's Shooting Sports 4-H Club also frequently uses the archery facilities.

For information on the club's archery programs see www.pemi.org and click on Archery.

"Wish We Had..."

The Club can always use serviceable tools. Specifically, shovels (snow and dirt), hoes, picks & crowbars, and the like would be handy. If you're trading up and have extras, please think of the Club.

PEMI FIREARMS

85 Blair Road • Campton, NH 03223

Good Guns for Good People

New • Used • Accessories • Ammo

Hours: Th-F 5-8 pm ~ Sat. 9am-5pm ~ Sun. by appt.

530-2353

pemifirearms@roadrunner.com

YEATON

AGWAY
SERVICES

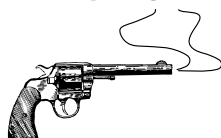
Open 8-5 Every Day 4-U

Highland Street, Plymouth, NH 03264

Telephone (603) 536-4554

SKIP'S GUN & SPORT SHOP

Store Hours
Tues.-Sat.
10 A.M.-6 P.M.



Gunsmithing
Service
by Appointment

Harold T. "SKIP" Reilly, Sr.
Authorized Remington Warranty Station

837 LAKE STREET • BRISTOL, NH 03222
(603) 744-3100 • fax (603) 744-3111
www.nhskip.com

The President's Firing Point

Even though it's almost fall (where *did* summer go?), things will remain very active at the Club for several more weeks. If you look at the calendar of events on page 3, you'll see something every weekend well into October. Nonetheless, there's plenty of room at the range to sight in those rifles for the upcoming hunting season.

The big event in the fall is the Fall Pot Luck Dinner, which this year is on Friday, October 30th. See the articles on page 1 and on page 10, and mark your calendars. It's a great time to meet other club members, to see some unusual entertainment, and to help support the club.

The last issue of the Gazette told you about the pine paneling going on upstairs at the clubhouse. As of this writing, the bulk of the project is done, and the upstairs is once again "operational". Indeed, the program part of the October 30th meeting will be held upstairs. See Phil's write-up on page 8.

Should you wander out that way, on the road to the trap range you'll see a lot of activity on the picnic pavilion

between the road and the pond. This is Ty Haas's Eagle Scout project, finishing up the work started by his older brother in *his* Eagle Scout project. Before the fall's out, the Club will have a beautiful quiet spot for enjoying the wildlife in the area. Stop by and take a look.

Another project going on is the range expansion project. The article starting on page 1 goes into a fair amount of detail.

As I said in the last issue, lots of other projects are going on, too many for a complete list here. And a lot more are being planned. Once again, members are welcome to attend Board meetings, and that's a good time to hear about existing and future projects at the Club. Come and be a part of the Club's future.

Be safe.

-Randy

WOODSVILLE
Guaranty
SAVINGS
Bank
People and Service Since 1889

7 Town West Rd., Tenney Mtn. Hwy., Plymouth · 536-4908
www.thegarantybank.com Member FDIC

SAMYN • D'ELIA
ARCHITECTS, P.A.

Tom Samyn, AIA
Ward D'Elia, AIA

Serving New Hampshire for over 20 years.

P.O. Box 1259, Ashland, NH 03217 • (603) 968-7133
e-mail: sdarch@cyberportal.net

The Pemi Gazette Available by E-mail

We'd like to remind everybody that the Pemi Gazette is available on-line, and you can choose to get an e-mail alert as it becomes available. If you choose this, you will get it sooner, and save the Club the printing and postage costs.

The e-mail alert will be a small text file that has a link to the latest Gazette. Click on the link to read the Gazette, save it on your own computer, or print it out at home. The e-mail message will be tiny and will not significantly impact your e-mail service or your storage quota, and it will include any breaking news about events or schedule changes that happen after the paper Gazette goes to press.

To choose this option, just send e-mail to Phil Haskell at three_birches@yahoo.com.

E-mailing the Gazette could save a lot of money on printing and postage for the Club. We have e-mail addresses for over half of the membership, but so far only a tiny percentage of those have opted for the e-mail version.

Your Board of Directors is looking for ways to save money and keep our membership fees as low as possible. Eventually we would like to switch over to as many of the e-mail Gazettes as possible. For the foreseeable future, you will always have an option to choose which version you want - printed or e-mail.

Range Expansion Project (continued from page 1)

300 yards to be “short range”, and moreso when I learned that 500 and 600 yards are considered “mid-range”! So do people really shoot at these distances? You bet. The 10-ring on a 600-yard target is 12 inches in diameter, and a very good shooter will put close to all of 20 shots into the 10-ring.

One of the attractions of shooting at the longer distances is that wind and light start to have important effects on shooting, something that one doesn't get much practice with if just shooting at 200 yards. Shooting well in the wind is one of the aspects of being a complete shooter. The National Matches, which have had a Pemi presence every year for decades, are shot in conditions that we just don't see here in NH.

Packed Schedule

If you've been following the Club calendar over the years, you'll have noticed that there are more and more activities every weekend during the summer. In fact, it's hard to find a weekend day to hold a new event or even find a rain date for an event. The covered firing ranges have been a huge help in accommodating both organized events and the casual shooters, but even so, the range is booked very heavily during the summer.

For many years, the range was used by the rifle shooters. Now, we have silhouette matches, IDPA matches, biathlons, cowboy shoots, and archery shoots in addition to rifle matches. Except for the July 4th weekend and Labor Day weekend, there's been at least one event, and often two, on every weekend this year from mid-April into September.

So, one of the attractions of moving the rifle range to a new location, and not just expanding it in place, is to help spread the events around so the calendar isn't so packed. Being able to run the rifle matches on the new range, as well as some of the silhouette matches and some cowboy events, will take a lot of pressure off the existing range.

Another attraction of location we've found is that it's farther away from our neighbors, and the noise reaching them from at least some of the shooting we do will be tremendously attenuated.

Details

So where is the range to be? And what's the plan?

The new location is in the northeast quadrant of the Club's property. We'd be shooting south to north, with the targets somewhere about 100 yards south of the northern property boundary. This is a surprisingly flat area, well, for central NH. Any local change in elevation from one

end to the other is less than 50 feet, and the net elevation change from the likely 1,000-yard firing line to the target area is close to zero.

So what's the plan? What are the steps to making this happen?

The first step is to log the area, and this has been done. The next step is to layout the range in more detail: find the exact locations for the targets and the various firing lines. We need to work with the existing terrain as much as possible. Next will be to get quotes for building the pits, and the firing lines, stumping the area and moving the rocks, and building a safety berm on the east side of the range floor, between the range and the eastern boundary road. (The terrain provides a great natural safety berm on the west side of the new location.) We'll also need a road (within the range itself; this will help ensure adequate access control) and parking areas.

We'll take a phased approach: getting the range set up for 200- and 300-yard shooting will be phase 1. This will involve building the pits, those firing lines, and stumping between 300 yards and the pits. It will also involve building a safety berm on the east side of that much of the range, and the road to the pits. At the end of this phase, we will have solved the problem of range overbooking, and will greatly reduce the noise getting to the neighbors during matches. Phase 2 will be to build the 600-yard firing line and the parking area for it, and to stump the area between 300 and 600. The east-side berm will be expanded to 600 yards. Phase 3 will be to finish the range, taking it all the way back to 1,000 yards, building firing lines at 800, 900, and 1,000.

Our thinking is partly influenced by the hope that once we have the phase-1 range up and running it would be possible to generate donations to help finish the range. This isn't a completely idle thought: there's not a 1,000-yard range operating anywhere in New England, and a lot of people's eyes light up at the thought of one in New Hampshire. It would be a unique asset.

Immediately ahead is to layout the range and write an RFP (request for proposal) for phase 1 and send that to various contractors in the area. With luck, 2010 will see some shooting at the new location!

For more information, please get in touch with me ... e-mail is best: mail@pemi.org. See also the map Fred made of the site; the map is posted at the clubhouse and at the covered range.

SUMMER BIATHLON

In the third year of having biathlon events at the Pemi, Summer Biathlon is catching on and attracting a wide spectrum of participants, from age 5 to “beyond middle age” and with walk, run, handicapped and mountain bike classes! In Summer Biathlon the participants alternate shooting and running, etc. We also held three winter biathlon events this year, in January, February and March, where skiing or snowshoes are the mode of travel!

We have allied with Disabled Sports of New England and are having an increasing participation by those in wheelchairs as well as other disabilities.

We have held three biathlon events; June 6, July 18 and August 15, in competition with the Harvard Sportsman’s Club from Harvard, MA. Each club holds three events for an informal league between the two clubs. Needless to say, the Pemi competitors beat the Mass. team hands down thanks to all our shooters, with special thanks to Dennis Whitcher, Ellen Tidd, Kevin Brooker, Sean Doherty and Chris Meeker.

A shortened biathlon event will be held on Saturday, September 19 and newcomers to the sport are encouraged to attend. Well-known biathlete Kevin Brooker will be doing a clinic on biathlon participation for all levels of experience followed by burgers and dogs etc at the clubhouse. Forming two-person teams pairing novices with experienced competitors for a shortened event will follow this.

Then on Sunday, October 4 the club will hold a Mountain Bike Biathlon wherein the competitors bike and shoot instead of walk, wheelchair or run and shoot.

Please see the Biathlon page in the club web site, www.pemi.org. For further information on the biathlon program call Fred Allen at 603-968-9944 or email to mail@pemi.org.



A Photo Finish! Coming across the finish line in a recent Pemi biathlon match are, from left to right, Bob Latshaw from Franklin, MA; Aaron Abbott, Haverhill, MA; Ellen Tidd, Contoocook, NH and five year old Nathan Brooker from Post Mills, VT.

Photos by Ken Watson, www.mediatell.com

Target Frames for the 50– and 100-yard ranges

A good project for all shooters: help keep frames stocked on the sport ranges

Cut each of two 12' pieces of strapping — the Club has a supply at the BBQ pit (between the clubhouse and the garage) — into three pieces

1. an 8'6" piece (the upright)
2. a 3' piece (a crosspiece)
3. and a 6" piece (a support piece)

Notch one end of each 8'6" piece and saw a 12"-long slot that will accept the wire on the range. This will be the top of the upright. See figure 1.

Nail or screw the two 3' crosspieces 20" apart (inside measurement), with the upper crosspiece 25" from the top of the uprights. Allow the crosspieces to extend 1" - 1 1/2" beyond the uprights to help prevent splitting. See figure 2.

The 6" pieces can be added on the inside of the uprights under a crosspiece to stiffen the whole frame.

That's it!

Making frame "kits" and leaving them at the ranges is good, too. It's trivial to assemble a frame from the parts. If you make frames at home, transporting just the kits is a lot easier.

Thanks!



Figure 1

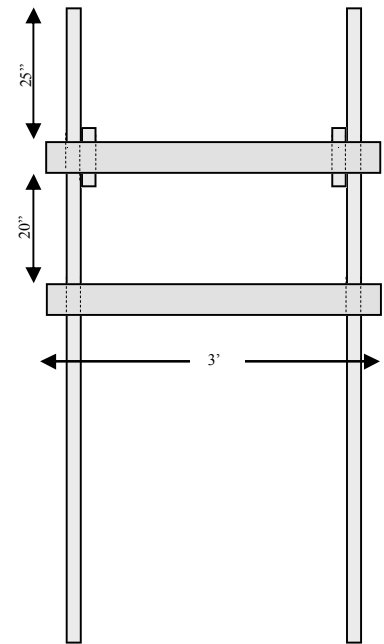


Figure 2

Women on Target October 18, 2009

Our sixth annual Women on Target event, on July 18, saw the largest turnout ever. 25 women and girls, most with no shooting experience, tried out a variety of .22 pistols and rifles with the encouragement and guidance of their coaches. The day started with a classroom section taught by Paul Sokolowsky, who reviewed firearms safety and covered the basics of how guns work and how to shoot them. Then, everyone went to the 50-yard covered range for a few hours of one-on-one practice, shooting at both paper targets and metal silhouettes. We got lucky with the weather, which was a pleasant exception from the rest of the cool and rainy month.

Besides Paul, who made the classroom part both fact-packed and entertaining, and Randy, who set up and organized the range, I need to thank the volunteer coaches: Bill Keaney, Dave Casper, Irene Caruso, Art Arford, Don Hamel, and Jeff Cooper. We couldn't have accommodated so large a group without the help of every one of these folks. And, thanks to all you club members who got the word out to their friends and family. It's great

to see so many women picking up a gun for the first time and having fun with it.

The event was so popular this year that I had to turn people away. But, I promised to set up a second event for sometime this fall. We now have a date: Saturday, October 18. That's the same day as the club's annual Edson's Ridge high power rifle match, so we'll probably run the WOT event in the afternoon. Details will be on the club website as soon as I get them worked out. If you know someone who's interested, have her contact me (evtate@verizon.net, 978-443-5429). If you can spare an afternoon to coach a few new shooters, I'd love to have your help on October 18. You don't need to be a certified instructor, just an experienced shooter who can give a new shooter some pointers and share the fun.

Ev Tate
phone 978-443-5429
email evtate@verizon.net

The Clubhouse Renovation Project

This phase of the clubhouse renovation project involves the addition of knotty pine walls for the upstairs clubhouse assembly room. We will also put up sheet-rock walls for three sides of the stage and lectern area at the south end of the room.

The pine walls are up. They look great!

Our timeline is for this project to be finished for a dedication ceremony at the Spring Annual meeting in March. At that time we will place a plaque honoring the work of our volunteers and the financial support of our patron members.

Why is this project taking so long? Your Board of Directors has relied entirely on



The pine paneling is up, and most of the room is back together again.



The energy-saving, insulated ceiling, new windows, and new pine walls

volunteer work to reduce the overall cost to the membership. Relying on volunteer help almost always takes longer.

Can you volunteer to help? Contact Fred Allen by writing to mail@pemi.org. Please stop by the clubhouse and see the accomplishments to date; maybe you will see a way that you can contribute.

Much of the funding for the upstairs renovation project has been provided by the Patron Member donations. This is exactly the kind of project the Patron Membership Program was designed for.

Please consider becoming a Patron Member when you renew your membership next year ... sign up on the membership application card. The three patron membership categories are Club Guardian at \$100 per year, Sentry at \$75 and Lookout at \$50. Each year the Patron donations will be applied to a special project with long-term benefit to the club and a plaque or other tribute will be displayed at the clubhouse honoring those donors.

High Power Rifle at Camp Perry

Once again several members of the Pemi Fish and Game Club attended the annual National Matches at Camp Perry in Ohio during the last week of July and first week of August. The National Matches run for about 6 weeks from early July to mid-August, with the high power rifle phase divided into “CMP week” and “NRA week”. GONH sponsors a State Service Rifle Team to compete in the big team match during CMP week. This year, Pemi members Chris Pitts and Stuart Pitts joined Nashua F&G members George Smith, Dave Lavoie, and Luke Utley and Cheshire County F&G member Ryan Blasi to make up shooting part of the 6-person team. The supporting cast on the team this year were all Pemi members: Ev Tate, Andrew Pitts, and Randy Enger.

We were prepared for bad weather — usually it's either 90 degrees with 90 percent humidity, or pelting rain with thunderstorms coming off Lake Erie. But this year, temperatures were in the low 80s, and except for a bit of drizzle one morning, the days were dry and clear ... and windy. They were long, though; we were on the range at 6:15 AM and sometimes didn't finish until 5:30 PM. One thing that the folks running Camp Perry (I don't know if it's the CMP, the NRA, the Army, or some combination) absolutely *excel* at is squeezing what should be a 6 hour match into 9 or 10 or more hours. The famous Camp Perry wind made shooting a challenge. The National Trophy Matches don't allow sighting shots, so you have to figure out the wind and adjust your sights before your first record shot. Every day saw winds of at least 10mph, even at 6AM when things are usually still, and with gusts over 25mph.

In the individual matches early in the week, Chris “made the cut” in the National Trophy Individual match. This is a “Leg” match, in which the top shooters earn points (or a “leg”) towards the coveted “Distinguished Rifleman” award. This 10-point leg gave Chris his 30 points, thus “legging out”, that is, earning the Distinguished award. We now say that Chris is distinguished. Congratulations, Chris! (By the way, he did this with a “miss”, too. In effect, he legged out shooting only 49 shots, where most people shot all 50!)

In the same match, Ev picked up a bronze medal in the NTI match, giving her 16 points towards the 30 needed for the Distinguished award. Congratulations, Ev!

CMP week always starts with a CMP clinic, taught by the Army Marksmanship Unit, the Army shooting team. Randy was one of about 20 Civilian Marksmanship Program (CMP) instructors who assisted the AMU in running the clinic, which the Army calls “Small Arms Firing School” or “SAFS”. This year, CMP had a record 700 students in their class, a sign that competitive rifle shooting is picking up in popularity.

Randy adds: A couple impressive things about Camp Perry: it's FLAT. There are no hills at all except man-made ones (for highway overpasses, for example ... there aren't even any impact berms on the ranges). Second, it's big: there are 4 ranges side by side. Only 2 of the 4 are used any more. Starting at the west end of the range, Viale is 150 points wide (and 1,000 yards long). Then Young, 100 points wide but unused. Then Rodriguez, 100 points wide. And then Petrarca, 100 points wide but unused. And a “point” — a firing point — is 8 or 9 feet wide, so you're looking at almost a mile-wide range. All completely flat and tree-less. And then, during CMP week (the first week of high power), there are close to 2,000 people (most of whom are walking around with guns ... even the kids! Cool, huh!) And then there's "Commercial Row", the shooter's shopping heaven ... I'll tell you about that some other time.

Everyone had a great time and were able to meet shooters from all over the country and world who share a passion for the shooting sports. For a fun week with lots of shooting Camp Perry is hard to beat!



Front, L to R: Stuart, Chris, Dave, Ryan, George (team captain), Luke
Back: Andrew, Ev, Randy

A Walk in the Woods

Looking for a great place to take a walk through the woods where you will pass a vernal pool (look that up if you are not familiar with their importance), a babbling mountain brook, a large beaver marsh and the possibility of seeing nature at its best?

Take a walk along the club's archery trail starting at the kiosk at the upper end of the parking lot, on the left above the indoor shooting range, and follow the signs along a well marked path directing you by realistic 3-D archery targets marked A-1 through A-15. The walk only takes a half to one hour and even passes by a picnic table where you may want to stop and have a lunch or snack as you watch over the beaver pond and marsh. Take your camera just in case you come across a moose or other animals.

A Special Program For All Ages

The program following the fall Pot Luck Dinner will be delightful presentation by Jim Gleich, well-known local performer. Jim has 27 years experience touring the Northeast as a circus performer and educator. He spent nine years performing at the NY Renaissance Festival as a juggler, joustler, stunt man and falconer.

Jim will have everyone fascinated with his focus on stage magic, unicycling, spinning plates, juggling and biabolo (Chinese yoyo). He will encourage audience participation and will make it an evening to remember. This is a program for the toddler to the well-seasoned, and the public is invited!

Spread the word about this free program. The program will begin around 7:30 in the newly finished upstairs of the clubhouse.

Please call Winnie Oustecky at 536-4129 to let her know if you are coming to the pot luck dinner and what you will contribute. However, you are still welcome if you cannot bring a dish, or if you are coming only for the program.



Community Guaranty Savings Bank

People who know you.

People you know.

P.O. Box 996, 28 South Main Street
Plymouth, New Hampshire 03264

Tel. (603) 536-0001 Fax (603) 536-2222

Member
FDIC

Campton office: 21 Tower Rd., Campton, NH 03223



IDPA

The IDPA program — the International Defensive Pistol Association — started just this year by Bob Klimm, has seen a lot of interest already, and is growing. There are two more matches this season, October 3rd and October 31st.

Contact Bob at rklimm@strat-edg.com or 603-630-9408 for more information.

(603) 968-3311

ASH
True Value[®]
HARDWARE

DICK ASH
RICK ASH

20 MAIN STREET
ASHLAND, NH 03217

For All Your Building Material Needs

Ashland Lumber Company, Inc.

Ashland, NH 03217

Exit 24 off I-93

(603) 968-7626

You Deserve The Best

Toll Free 1-800-649-2076 • Fax (603) 968-3665

Club Goals

- Conservation of habitat, fish, and wildlife
- Good sportsmanship, safety, and outdoor ethics
- Proper management of fish and wildlife resources
- Promotion and preservation of the shooting sports

Plymouth International Postal Match October 11

About six or seven years ago we were invited to join in a “all-Plymouths-in-the-World” smallbore rifle postal match. This has turned into an annual event, and so for the past several years we’ve been eager participants in this event every October.

And every October, as noted before, most of us haven’t touched a smallbore rifle since the previous spring, and we get trounced by the England team. So ... practice, that’s what we need!

By way of practice for the Plymouth match, we’re planning to shoot the Plymouth course on Saturday, September 12 — contact Tom Bubolz at tom.bubolz@dartmouth.edu for more information about this warmup match — and then again after the September 20th League match and after the October 10th League match.

The Plymouth match itself this year is on Sunday, October 11th. We shoot 60 shots (in 3 stages of 20 shots each) — all prone. We start at 9am, and the cost is \$10. It’s a team match; coaching is allowed, and we take the top 10 scores of the day as our team score. We’ll send the scores to John Alexander in England after the match, and then John will collect the scores from various matches at the world’s Plymouths and send out the results. Come help us improve our ranking among the world’s Plymouth shooting clubs.

Contact Randy Enger at randyenger@verizon.net for more information.

Adopt-a-Highway

We perform a civic duty in doing highway cleanup in the state-wide Adopt-a-Highway program. We will continue this effort in 2009, and your assistance is needed and will be appreciated. We used to do a section of Tenney Mountain Highway in Plymouth, and the steep banks on much of our section made it a pretty strenuous job. But we now have a very flat stretch of Route 175 from the Holderness School to 7 Pines Road.

We have one more date in 2009: Saturday, October 17th. We meet at the Holderness School parking lot at 10:00am. Please come and help out. Many hands make light work. Call Winnie Ousteky at 536-4129 for more information.



P.O. BOX 420 • 63 MAIN STREET
PLYMOUTH, NEW HAMPSHIRE 03264-0420

255 DANIEL WEBSTER HIGHWAY
MEREDITH, NEW HAMPSHIRE 03253

PHONE (603) 536-1735 • FAX (603) 536-4298
(603) 279-3232



PLYMOUTH ANIMAL HOSPITAL

Quality Health Care for Large and Small Animals
24-hour Emergency Service

David W. Cote DVM
Ellyn K. Tighe DVM
Miles Moritz DVM
Fred R. Allen DVM, retired

Tenney Mountain Highway
Plymouth, NH 03264
Hours by Appointment
(603) 536-1213

Edson’s Ridge October 18

Once again, the original military rifle match, the one and only Edson’s Ridge Match is on October 18th. Start time is 9:00am; any pre-WW II bolt-action military rifle is allowed. The course format will be determined by the match director, Jim Shepherd, sometime before the match. Contact Jim (corsairsf4u@earthlink.net) for details.

ISLAND FISHING CHARTERS
Trolling for salmon, lake and rainbow trout on
Lake Winnepesaukee

Glen Leathers (603) 493-7559
GLEATHERS@comcast.net www.islandfishingcharters.com

Pemi Fish and Game Club
P.O. Box 38
Plymouth, NH 03264-0038

Change Service Requested



PRESRT. STD.
US POSTAGE
PAID
FRANKLIN, NH
PERMIT NO. 65

HIGHLIGHTS (see page 3 for full schedule)

- September 19 — Biathlon Clinic
- September 26 — Silhouette: cowboy lever action
- October 4 — Mountain Bike Biathlon
- October 11 — Int'l Plymouth Match
- October 17 — Adopt-a-Highway
- October 18 — Women on Target
- October 30 — Potluck Dinner
- December 4 — Combined November/December meeting

Page 12 *Pemigewasset Valley Fish and Game Club Gazette—Vol. 15, No. 3* September 2009

Visit us at our website at www.pemi.org; e-mail us at mail@pemi.org

Officers and Directors

Randy Enger, President	(978) 443-5429
Joe Oustecky, VP	(603) 536-4129
Stuart Pitts, Treasurer	(603) 726-3037
Brian Pelchat, Secretary	(603) 968-3146
Fred Allen, Director	(603) 968-9944
John Bartlett, Director	(603) 786-9720
James Brennan, Director	(603) 539-5147
Tom Grabiek, Director	(603) 786-2152
Phil Haskell, Director	(603) 536-3105
Bob Klimm, Director	(603) 630-9408
Tim Korade, Director	(603) 536-1716
Don Marsh, Director	(603) 968-7039
Winnie Oustecky, Director	(603) 536-4129
Toni Piper, Director	(603) 968-2251
Marian Pitts, Director	(603) 726-3037
Jerry Thibodeau, Director	

Mike Baumann, Webmaster applewize@spamcop.net
Phil Haskell, Database Manager three_birches@yahoo.com

The Gazette is a newsletter publication of the Pemigewasset Valley Fish and Game Club, Holderness, New Hampshire. It is mailed quarterly to the membership: March, June, September, and December.

EDITOR

Randy Enger

CONTRIBUTORS

Fred Allen
Randy Enger
Phil Haskell
Ev Tate

Please address all comments regarding this publication to the editor by writing to:

Gazette Editor
Pemigewasset Valley Fish and Game Club
P.O. Box 38 • Plymouth, NH 03264-0038

or send e-mail to mail@pemi.org